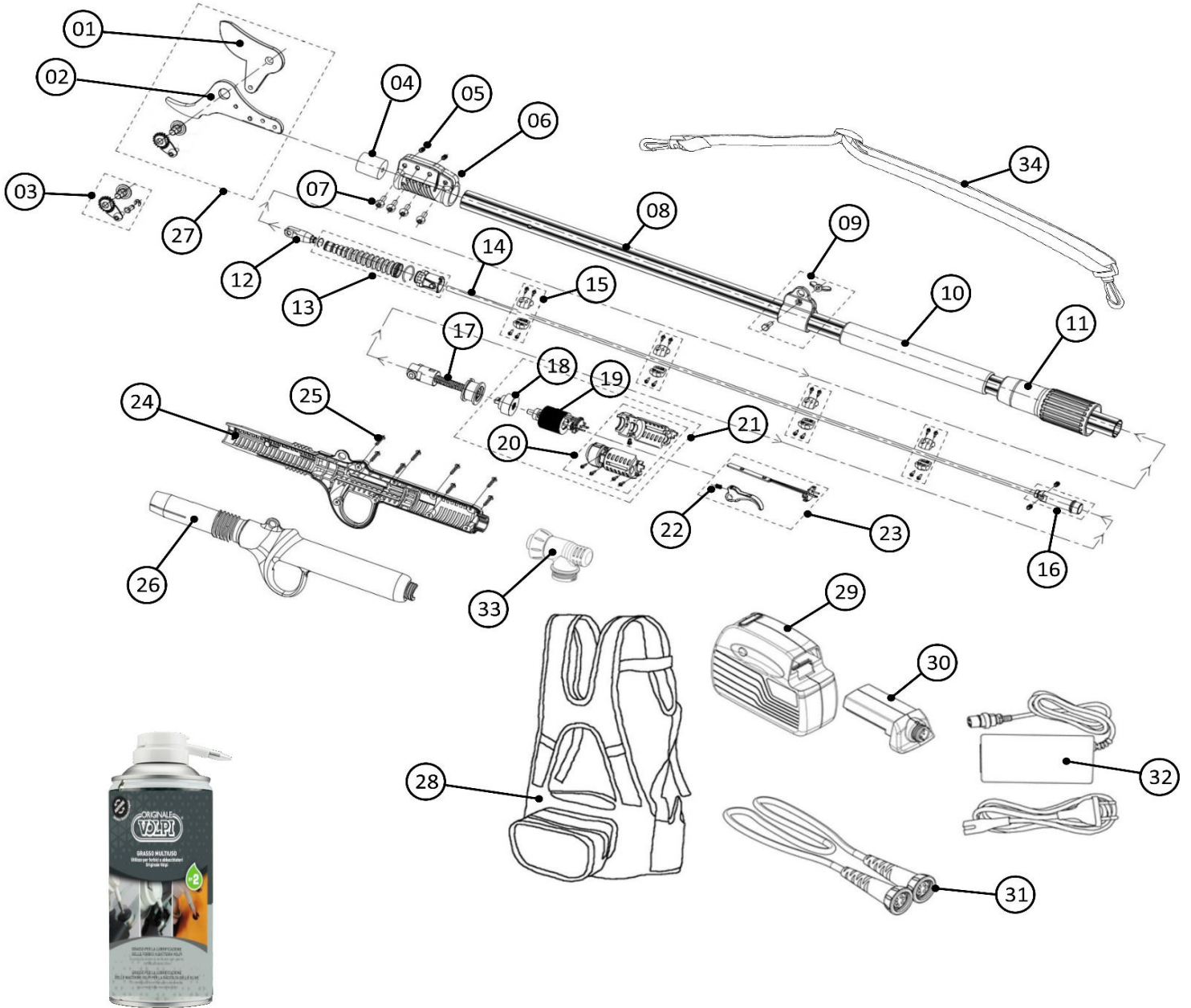


13. CORDED POLE PRUNER WITH BACKPACK BATTERY AND POLE cod. KV100 - KV100NB - KV150 - KV150NB - KV200 - KV200NB



13. CORDED POLE PRUNER WITH BACKPACK BATTERY AND POLE cod. KV100 - KV100NB - KV150 - KV150NB - KV200 - KV200NB

Posiz.	Cod.	Descrizione Articolo	Unità Macchina	Pz per Confez.		Note
1	KV80R05	Moving blade up to matr PA418.999-PB4219.999-PC1721.999-PD1721.999	1	1		
	KV80R50	Moving blade from matr PC4821.001-PD4821.001 and matr PX-PY-PK	1	1		
2	KV80R06	Fixed blade up to matr PA418.999-PB4219.999-PC1721.999-PD1721.999	1	1		
	KV80R51	Fixed blade from matr PC4821.001-PD4821.001 and matr PX-PY-PK	1	1		
3	KV80R33	Blade fixing system up to matr PA418.999-PB4219.999-PC1721.999-PD1721.999	1	1		
	KV80R52	Blade fixing system from matr PC4821.001-PD4821.001 and matr PX-PY-PK	1	1		
4	KV80R34	Dust cover sponge up to matr PA418.999-PB4219.999-PC1721.999-PD1721.999	1	1		
5	KV80R15K	M5x5 cogwheel kit (10 pieces)	4	10		
6	KV80R08	Fixed blade holder	1	1		
7	KV80R09K	Allen screw kit M5X18 (8 pieces)	4	8		
8	KV80R25	Aluminum tube 0.5m (for KV80) up to matr PA4118.999	1	1		
	KV100R25	Aluminum tube 0.7m (for KV100) up to matr PB421.999	1	1		
	KV150R25	Aluminum tube 1.1m (for KV150) up to matr PC1721.999	1	1		
	KV200R25	Aluminum tube 1.7m (for KV200) up to matr PD1721.999	1	1		
	KV100R53	Aluminum tube 0.7m (for KV100) matr PX	1	1		
	KV150R53	Aluminum tube 1.1m (for KV150) matr PC4821.001 to matr PY	1	1		
	KV200R53	Aluminum tube 1.7m (for KV200) from matr PD4821.001 and matr PK	1	1		
9	KV80R35	Shoulder strap hook	1	1		
10	KV80R12	Foam handle up to matr PA418.999-PB4219.999-PC1721.999-PD1721.999	1	1		
	KV80R54	Foam handle from matr PC4821.001-PD4821.001 and matr PX-PY-PK	1	1		
11	KV80R16	Manigiline clamping ring nut up to matr PA418.999-PB4219.999-PC1721.999-PD1721.999	1	1		
	KV80R55	Manigiline clamping ring nut from matr PC4821.001-PD4821.001 and matr PX-PY-PK	1	1		
12	KV80R13	Drive rod B up to matr PA418.999-PB4219.999-PC1721.999-PD1721.999	1	1		
	KV80R56	Drive rod B from matr PC4821.001-PD4821.001 and matr PX-PY-PK	1	1		
13	KV80R36	Dust bellows assembly	1	1		

13. CORDED POLE PRUNER WITH BACKPACK BATTERY AND POLE cod. KV100 - KV100NB - KV150 - KV150NB - KV200 - KV200NB

14	KV80R26	Bar 0.5m (for KV80) up to matr PA4118.999	1	1		
	KV100R26	Bar 0.7m (for KV100) up to matr PB421.999	1	1		
	KV150R26	Bar 1.1m (for KV150) up to matr PC1721.999	1	1		
	KV200R26	Bar 1.7m (for KV200) up to matr PD1721.999	1	1		
	KV100R57	Bar 0.7m (for KV100) matr PX	1	1		
	KV150R57	Bar 1.1m (for KV150) from matr PC4821.001 and matr PY	1	1		
	KV200R57	Bar 1.7m (for KV200) from matr PD4821.001 and matr PK	1	1		
15	KV80R37K	Bar support assembly up to matr PA418.999-PB4219.999-PC1721.999-PD1721.999	-	5		
	KV80R58	Bar support assembly from matr PC4821.001-PD4821.001 and matr PX-PY-PK	-	5		
16	KV80R38	Drive rod A up to matr PA418.999-PB4219.999-PC1721.999-PD1721.999	1	1		
	KV80R59	Drive rod A from matr PC4821.001-PD4821.001 and matr PX-PY-PK	1	1		
17	KV80R39	Worm assembly up to matr PA418.999-PB4219.999-PC1721.999-PD1721.999	1	1		
	KV80R60	Worm gear assembly from matr PC4821.001-PD4821.001 and matr PX-PY-PK	1	1		
18	KV500R40	Reducer up to matr PA418.999-PB4219.999-PC1721.999-PD1721.999	1	1		
	KV80R61	Gearbox from matr PC4821.001-PD4821.001 and matr PX-PY-PK	1	1		
19	KV500R41	Electric motor up to matr PA418.999-PB4219.999-PC1721.999-PD1721.999	1	1		
	KV80R63	Electric motor from matr PC4821.001-PD4821.001 and matr PX-PY-PK	1	1		
20	KV500R42	Gearmotor cover matr PA-PB-PC-PD	1	1		
21	KV500R22	Gear motor PA-PB-PC-PD	1	1		
22	KV600R12K	Trigger spring kit up to matr PA418.999-PB4219.999-PC1721.999-PD1721.999	1	10		
	KV80R64	Trigger spring kit from matr PC4821.001-PD4821.001 and matr PX-PY-PK	1	5		
23	KV80R40	Trigger with wiring up to matr PA418.999-PB4219.999-PC1721.999-PD1721.999	1	1		
	KV80R65	Trigger with wiring from matr PC4821.001-PD4821.001 and matr PX-PY-PK	1	1		
24	KV80R18	Cover B up to matr PA418.999-PB4219.999-PC1721.999-PD1721.999	1	1		
	KV80R68	Cover B from matr PC4821.001-PD4821.001 and matr PX-PY-PK	1	1		
25	KV600R08K	Kit vte M3x10 pack 20 pieces up to matr PA418.999-PB4219.999-PC1721.999-PD1721.999	9	20		
	KV80R67	Screw kit M3x10 pack 10 pieces up to matr PC4821.001-PD4821.001 and matr PX-PY-PK	9	10		
26	KV80R17	Cover A up to matr PA418.999-PB4219.999-PC1721.999-PD1721.999	1	1		

20	KV80R66	Cover A from matr PC4821.001-PD4821.001 and matr PX-PY-PK	1	1		
----	---------	---	---	---	--	--

13. FORBICE A CAVO CON BATTERIA A ZAINO E ASTA cod. KV100 - KV100NB - KV150 - KV150NB - KV200 - KV200NB

27	KV80R07	Moving blade + fixed blade kit assembled up to matr PA418.999-PB4219.999-PC1721.999-PD1721.999	1	1		
	KV80R69	Moving blade + fixed blade kit assembled from matr PC4821.001-PD4821.001 and matr PX-PY-PK	1	1		
28	KV3R07	Backpack for battery KV600R70	1	1		
29	KV600R70	Battery 44V - 4.4 Ah	1	1		
30	KV80R71	Controller for 44V 4.4Ah battery up to matr PA418.999-PB4219.999-PC1721.999-PD1721.999	1	1		
	KV80R72	Controller for 44V 4.4Ah battery from matr PC4821.001-PD4821.001 and matr PX-PY-PK	1	1		
31	KV500R27	Cable up to matr PA418.999-PB4219.999-PC1721.999-PD1721.999	1	1		
	KV80R73	Cable from matr PC4821.001-PD4821.001 and matr PX-PY-PK	1	1		
32	KV600R32	Battery charger	1	1		
33	KV80R41	Elbow connector to matr PA418.999-PB4219.999-PC1721.999-PD1721.999	1	1		
34	KV80R42	Belt	1	1		
-	LUB200	PTFE multipurpose spray grease 270cc - 12 pcs conf.	1	1		